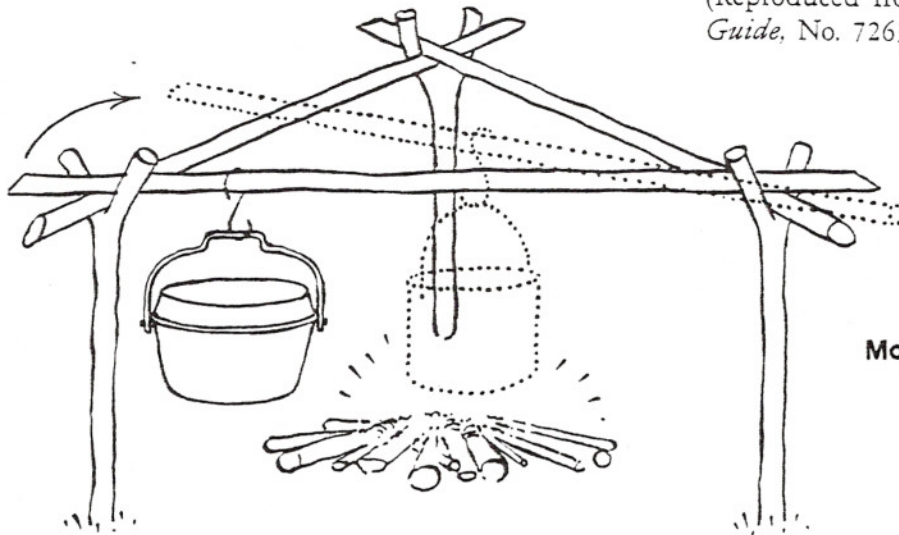


APPENDIX E—COOKING METHODS

(Reproduced from *Boy Scout Roundtable Planning Guide*, No. 7263.)

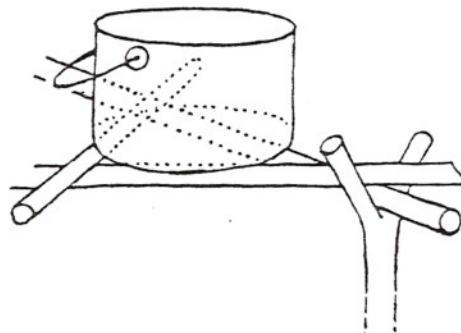


Move any stick over

The Bangor Dixie Crane

Rarely seen today, the Bangor Dixie Crane is the best of them all, say the veterans.

As the dotted "ghost" lines show, any of the top suspension sticks can be moved, so that dioxies and billies can be moved over any part of the fire, for boiling or simmering. Also, utensils can be placed on other sticks, laid across as shown.



Rodgers Reflector Oven

This reflector oven folds flat and is lightweight.

